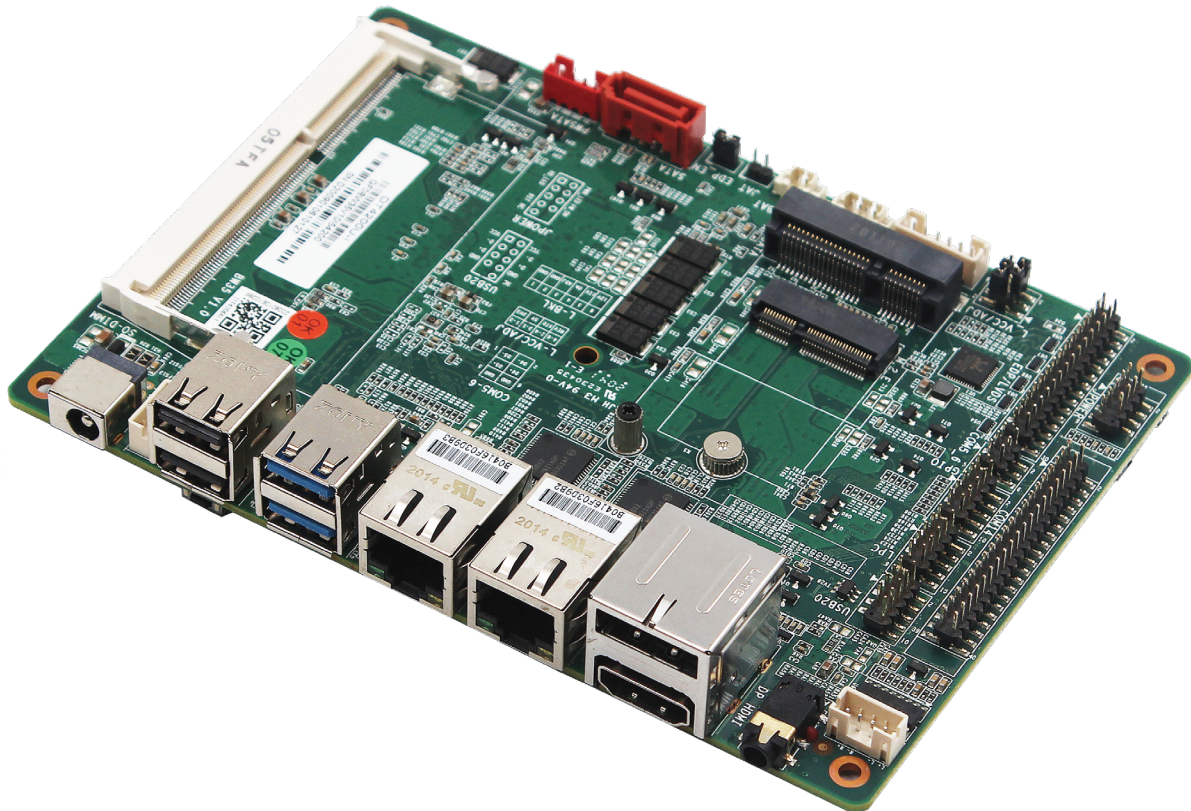


# BW-35

## Intel® Broadwell/Haswell-U based 3.5" Disk Size Motherboard



### Features

- CPU: Intel Broadwell/Haswell-U Processors
- Memory: Single Channel SO-DIMM DDR3L up to 8 GB
- Display: Intel Integrated Graphics display via HDMI, DP, eDP/LVDS
- Ethernet: 10/100/1000Mbps
- Storage: SATA3.0, mSATA
- Expansion: M.2 for WiFi
- Power: 12V/19V DC input



IoT Solutions  
Alliance  
Industrial Solution  
Builders Specialist

**Maxtang**<sup>®</sup>

MAXIMIZING YOUR COMPUTING PRODUCTIVITY

## Introduction

The Maxtang BW35 is a 3.5" desk size embedded motherboard based on the Intel Broadwell and Haswell-U processors, provides powerful performance with low power consumption. Supports Single-channel SO-DIMM DDR3L up to 8GB, Intel HD Graphics display via HDMI, DP, eDP/LVDS. Features two 10/100/1000 Mbps Ethernet controllers, mSATA, SATA3.0 for storage, and M.2 for WiFi for expansion. A rich I/O interface includes 6x COM, 3x USB3.2, 3xUSB2.0, 8x GPIO, Audio Ports (Mic-in+ Line-out) with standard 12V/19V DC-in, caters to most market's requirement.



The BW35 is an ideal solution for various industrial applications. It retains the robust design of all Maxtang product lines at a new cost-effective price point. Its powerful features provide you a great user experience, increase your productivity with stability, reliability. Maxtang is a member of the Intel IoT Solutions Alliance on Industrial Solution Builders Specialist. Our goal is to provide you the best products with high quality and cost advantages.



H/W Monitor



Watchdog

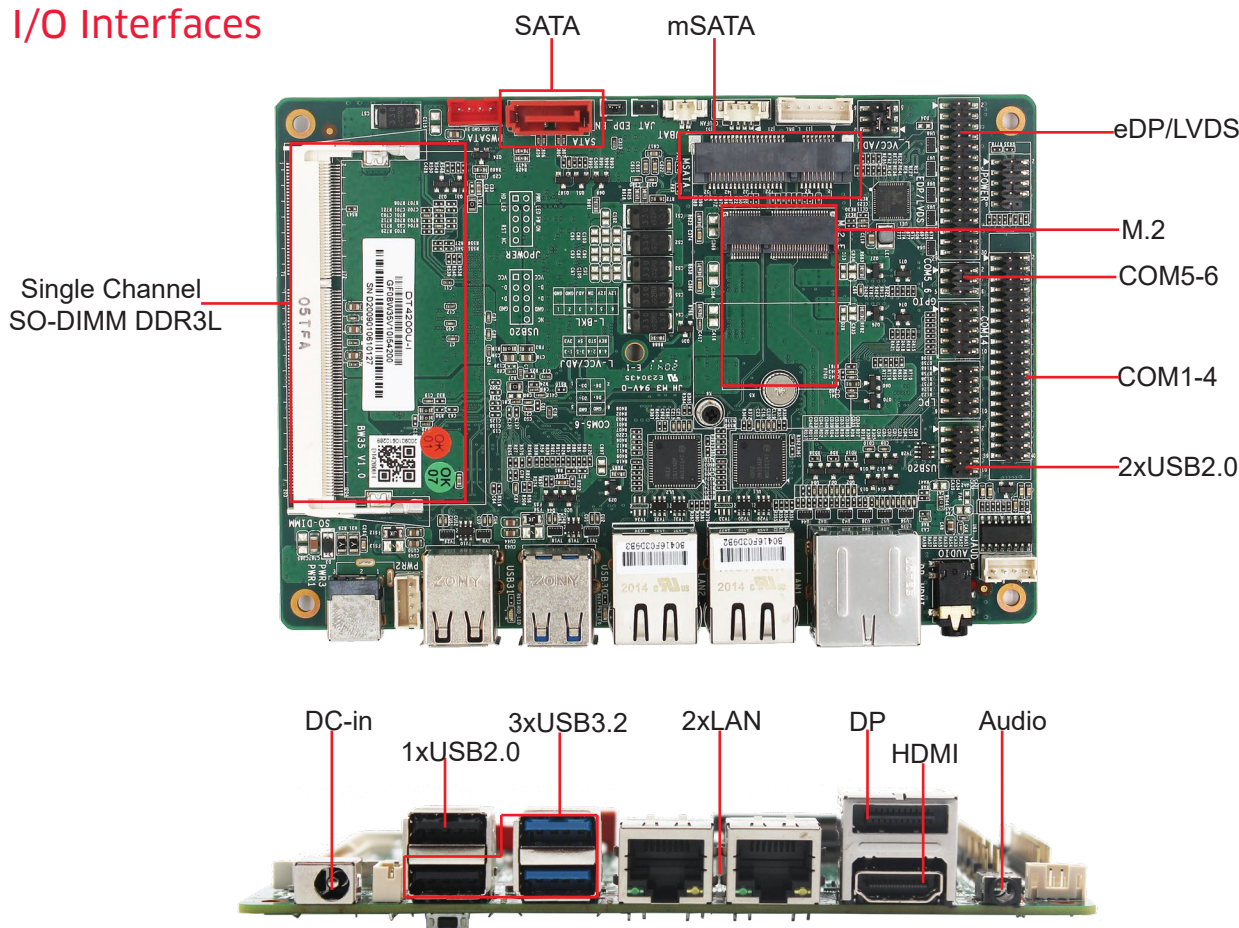


GPIO



Brightness

## I/O Interfaces

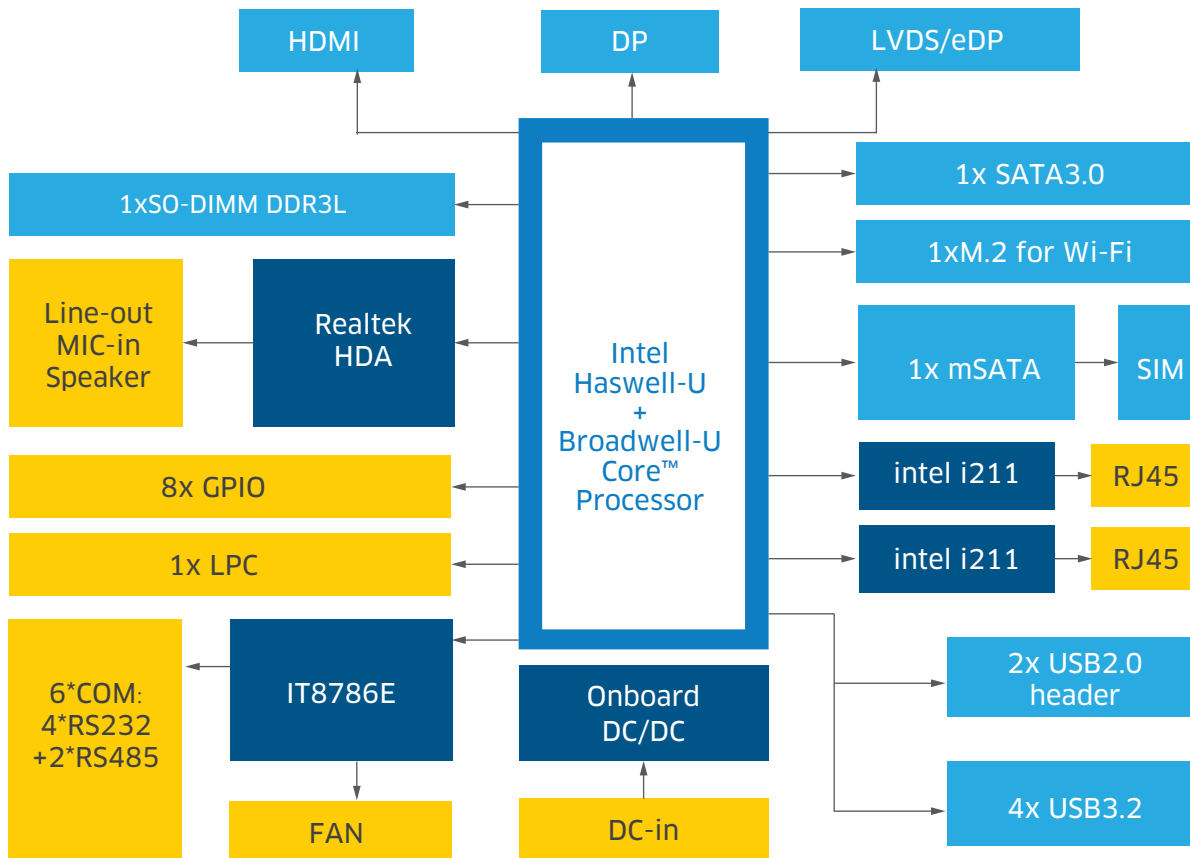


## Technical Specifications

Processor	Haswell CPU	i5-4200U	i7-4500U		
	Base Frequency	1.6 GHz	1.8 GHz		
	Max Turbo Frequency	2.6 GHz	3.0 GHz		
	Cache	3MB	4MB		
	TDP	15W	15W		
	Broadwell CPU	i3-5005U	i5-5200U	i7-5500U	
	Base Frequency	2.0 GHz	2.2 GHz	2.4 GHz	
	Max Turbo Frequency	/	2.7 GHz	3.0 GHz	
	Cache	3 MB	3 MB	4 MB	
	TDP	15W	15W	15W	
	BIOS	AMI UEFI BIOS			
	Memory	Type	Single Channel DDR3L		
		Max. Capacity	8GB		
Display	GPU	Intel Integrated Graphics based on CPU			
	Interface	1xHDMI+1xDP+1xLVDS/eDP			
Ethernet	Speed	10/100/1000 Mbps			
	Controller	intel i211			
	Interface	RJ45			
	Wake on LAN	Yes			
Audio	Audio Codec	Realtek HD			
	Interface	2-in-1 Audio port, supports audio header, amplifier header			
Hardware	CPU System temperature, onboard voltage, Watchdog				
Storage	mSATA	1x mSATA (3G/4G optional)			
	SATA3.0	1			
Expansion I/O Interface	M.2	1x M.2_E for Wi-Fi			
	LAN	2			
	COM	6*COM: 4*RS232+2*RS485			
	USB3.2	3			
	USB2.0	3 (1*Port + 2*header)			
	Audio	1 (Line-out+ Mic-in)			
	GPIO	8			
	LPC	1			
	Dimension	Size	146 mm x 102 mm		
		Board Type	3.5" Disk Size SBC		
Power Temperature	Standard Port	12V/19V DC-in			
	Operating Temp.	-20°C to 60°C			
	Storage Temp.	-20°C to 60°C			
Operating System	Win7/8/8.1/10 32/64bit, Linux 32/64 bit				

\* All specifications and photos are subject to change without notice.

## Functional Block Diagram



## Order Information

Model Name	Description
DT4200U-I	DT Intel Core I5-4200U BW35 1DDR3L 2LAN 4*RS232 2*RS485 DP+HDMI+LVDS

\*For customized options, please consult regional sales. And please confirm the model name and description before purchasing. \*The model name and description might vary due to inventory changes.

Copyright © 2018 Maxtang Technology Co. Ltd. All rights reserved. All data is for information purposes only and not guaranteed for legal purposes. Information has been carefully checked and is believed to be accurate however, no responsibility is assumed for inaccuracies. Maxtang and the Maxtang logo and all other trademarks or registered trademarks are the property of their respective owners and are recognized.